

Boxed Bottom Bag

13" x 14"

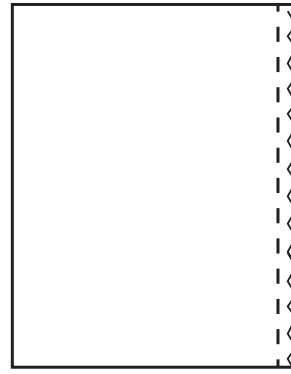


Diagram 1

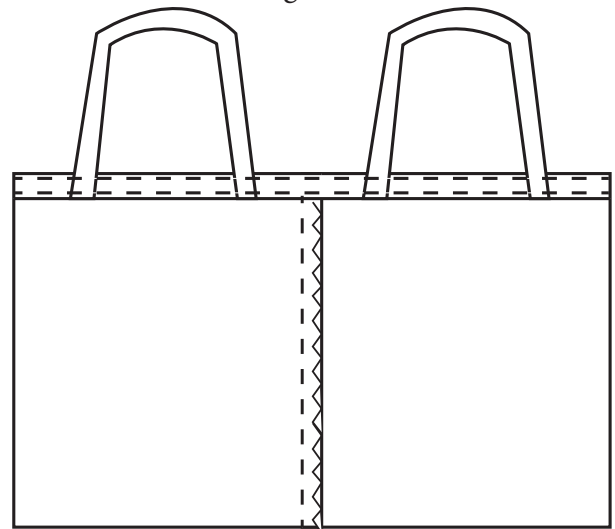


Diagram 2

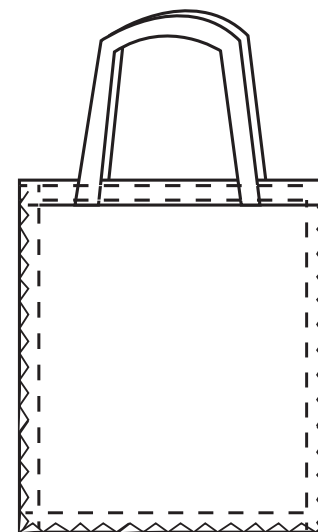


Diagram 3

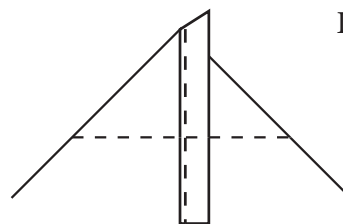


Diagram 4

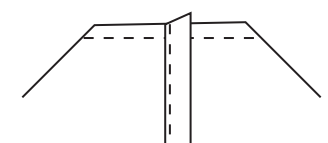


Diagram 5

Supplies:

Fabric - $\frac{3}{8}$ Yard cut into {2} $13\frac{1}{2}$ x 17" pieces

Handles - (2) 22" pieces of webbing

Sewing Directions

1. Sew (1) side seam, right sides together with $\frac{1}{2}$ " seams. Zig zag edge [Diagram 1].
2. For top hem turn top 1" to wrong side and press. Turn again 1" and press [Diagram 2].
3. Place (1) handle on hem 3" from each seam line. Repeat for second side [Diagram 2].
4. Stitch along bottom of hem, through handles. Stitch top of bag through handles [Diagram 2].
5. Sew and zig zag side second seam as in Step 1 [Diagram 3].
6. Sew and zig zag bottom [Diagram 4].
7. Box the bottom of the bag by matching bottom and side seams forming a triangle. Stitch across, trim, and zig zag. Press [Diagram 5].
8. Turn right side out.